

NUWEIGH

FEATURES

120mm Red LED digits

Ultra bright LED's

Includes Annunciators

Full stainless steel construction

Stainless steel weather hood

Includes mounting brackets

Wireless option available

Connects to all weighing indicators

KCA1100 LARGE REMOTE DISPLAY

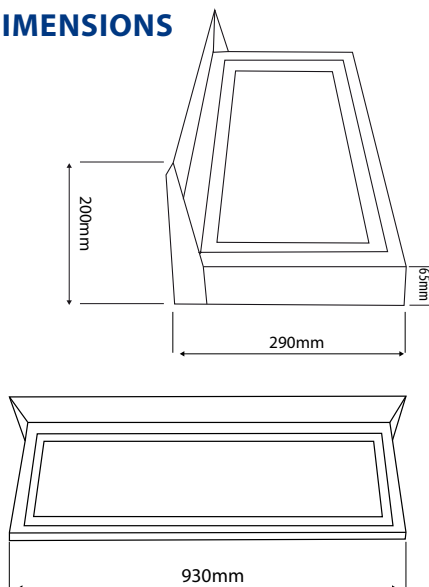


Easy viewing in sunlight



Excellent viewing from wide angle

DIMENSIONS



Distributed by: